

SQUELCH TALES

SAN DIEGO REPEATER ASSOCIATION

VOLUME IX

JULY, 1981

NUMBER 7

RED FLAG ALERT



At the California Division of Forestry, Art Smith, W6INI, San Diego Section Communications Manager for ARRL, shows Steve, KQ6U, routes to be patrolled by hams during the fire hazard last month.



Citizen's Band folks and their equipment were also on the scene.

NEW AMATEUR RADIO STORE

THE HAM SHACK

AMATEUR RADIO EQUIPMENT
ON CONSIGNMENT

BRING YOUR USED GEAR FOR US

TO SHOW AT SWAP MEETS

AND SELL AT OUR STORE BETWEEN SWAP MEETS.

BARGAIN HUNTER'S SPECIALS

\$10.00 BASIC SERVICE CHARGE
10% SELLING FEE

GEORGE - WB6YEC - OWNER

3128 UNIVERSITY AVE. SAN DIEGO

TELEPHONE: 280-6023

RED FLAG PATROL

Monday, June 15, 1981. San Diego was greeted at dawn this day with unseasonable Santa Ana winds and accompanying high temperatures. Gusting winds of 35 to 50 miles per hour, 100 degree temperatures, and careless citizens set the first heavy brush fires of the season. The sky was blackened for the next three days.

The Los Angeles Times headline for the San Diego County section was "FLAMES SWEEP ACROSS COUNTY". A full moon was due on Wednesday, the 17th. SANDRA's Mount Otay repeater, 146.04/64, went flakey on weak signals. Tempers were short on the air about why SANDRA Directors went to the mountain to mess up the repeater. More importantly, however, San Diego County Amateur Radio operators again provided a great public service.

A few years ago, the California Division of Forestry (CDF), which among the many duties of its Forest Rangers provides fire fighting crews and equipment for those areas not served by communities, enlisted the aid of Amateur Radio and Citizen's Band operators to assist during periods of high fire hazard.

Art Smith, W6INI, SANDRA member and ARRL Section Communications Manager for San Diego and Imperial Counties, got the call from CDF early Monday morning. "We need the Red Flag Patrol." Art put the machinery in motion, and Amateurs were soon in position at the CDF Monte Vista Ranger Headquarters near El Cajon. With control stations there, hams and CB'ers were dispatched in their cars to previously planned routes in the back country to observe potential hazards, fire starts, suspicious situations, and in general to become extended eyes and ears of the Division of Forestry.

The average mileage put in by these voluntary teams was 200 to 300 miles per day.

Cars carry prominent signs "RED FLAG PATROL", which serve the dual purpose of publicizing the intent of the vehicle and potentially deterring malicious fire setters.

The Citizen's Band REACT trailer, well equipped, was also posted at Monte Vista.

The teams who participated actively in the three days of the alert were:

SOUTH COUNTY

K6ACY	N6ARU	WD6AZE	N6BUK
WB6DBT	WD6DSV	WA6EDG	W6FWF
W6INI	WB6IVN	KA6JEH	W6KSJ
WA6LWL	KA6PSI	W6QLJ	K6QM
WB6RJB	WB6TOH	WB6TQF	KQ6U
K6UK	K6UV	W6UZL	

NORTH COUNTY

N6ALA	N6AYQ	WD6CWM	N6DOI
WD6ENK	KA6FTP	KD6FV	KA6GIX
W6IHH	N6OF	W6OKG	

Thursday, June 16, 1981, the high temperatures dropped. The alert was called off, the moon was no longer full, Mount Otay repeater was tweaked to offset temperature effects. Tempers cooled. All was well.

W6UZL

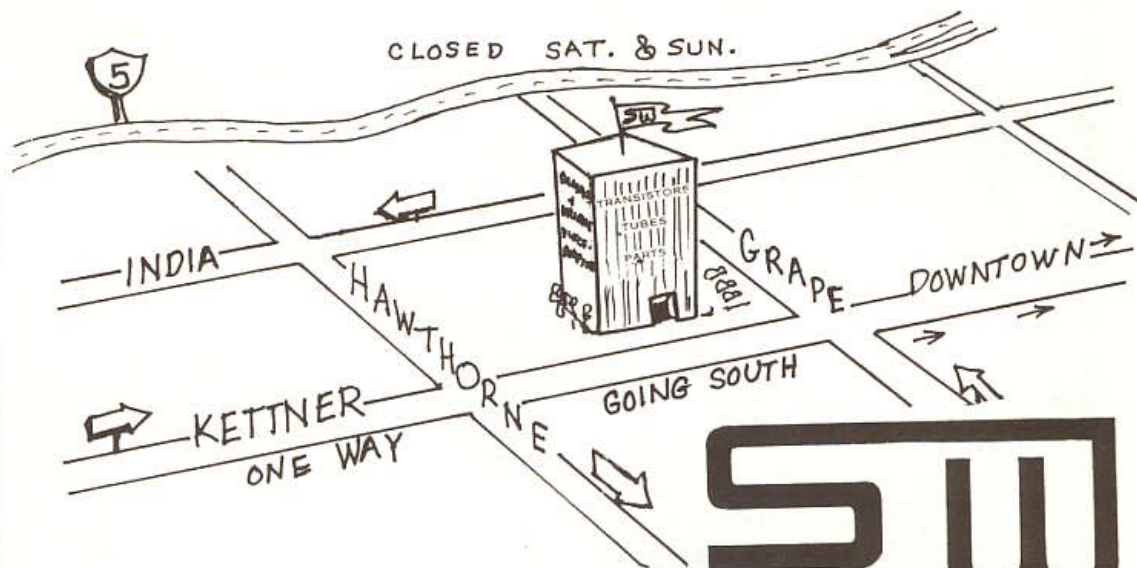
FIELD DAY

Lots of the local radio clubs were out on Field Day, June 25/26. The Amateur Radio Club of El Cajon, with their field day site in Alpine, were featured on Channel 8 TV. K9ICF, I.J. Hudson, who frequents SANDRA repeaters and is a news announcer at Channel 8, took the camera crew to the site and did a first class job in giving the public a snapshot of the purpose and capability of ham operators in simulated emergency situations.

Pat Bunsold, WA6MHZ, immediate past president of the El Cajon Club, was featured in interviews. We also recognized WA6AIL, N6BSD, and others in the rapid moving panorama.

SINCE 1945

SHANKS & WRIGHT ELECTRONIC SUPPLIES



Dick
W6BZE

2045 Kettner Blvd.
San Diego CA 92138
239-0176

Si
W6OSD

MEMBERSHIP MEETING

SANDRA members convened on June 18, 1981, at the North Park Recreation Center at 7:30 PM. The best turnout of the season. Sixty-three signed in and including visitors there were about 100 present when our guests William H. Grigsby, Engineer in Charge of our local FCC Office and June Alonzo, our local FCC contact representative were center stage.

WAGWZO, Fried, ARRL Section Communications Manager for Orange County and his wife Sandy, WAGWZN, were welcomed as visitors. Fried circulated a petition asking the FCC to reject the plain language revision to Part 97 of the Rules now under consideration.

Minutes of the Board meeting and the Treasurer's report were voted accepted as reported in SQUELCH TALES.

ARRL Section Communications Manager Art Smith, W6INI, reported that 40 hams in North and South San Diego County participated in the California Department of Forestry "Red Flag Alert" on 15 through 17 June, when we had high temperatures, low humidity conditions.

Vance, WA6KHA, Membership Chairman, announced that we now have 825 on the SANDRA membership rolls.

The technical committee reported on the performance of the Mt. Otay, 146.04/64 machine over the past few days on marginal signals. The trustee, Ed, WA6YVX, said the best guess was the high temperatures during that period. Late nite trip to the mountain to lower the receiver squelch level took care of the problem. The technical committee also reported that Lyon's Peak repeater, 146.865/265, is currently on 10 watts as a test level.

K6ZK, Jim, announced that the Mission Trails Net folks would have their annual get together in San Diego the weekend of June 19/20 and

asked for courtesy of using 04/64 as a calling frequency.

Feature of the evening was our introduction to the new Engineer in Charge of the San Diego FCC Office, William H. Grigsby and his able assistant, June Alonzo, our local FCC contact representative.

Grigsby fielded all questions from the floor, and hung in there after the meeting was formally closed until the custodian pulled the light switch.

A full spectrum of subjects were covered, from private access to commercial frequencies such as Home Box Office TV to the obvious question of the "jammers". By the way, Grigsby said that during his tenure here, valid reports of interference on SANDRA repeaters were lacking at the San Diego FCC office.

June Alonzo discussed the information that the FCC needs to pursue information complaints.

Johnny, WA6HYQ, followed up on this with June, and developed a form which we included in this issue that will help both us and the FCC. Editor's Note.

SIGNED IN

WB6CDK	N6DPX	WD6AZE	KA6LKM
KD6GR	N6AEA	K6KPV	KA6JEH
N6AHJ	KA6IAS	KD6PZ	W6GIC
W6UZL	K9RFZ	WA6ZMQ	WA6SPF
W6INI	WA1SEY	WA6EDG	WB6DBT
N6BRE	KA6BVG	WA6JGL	WA6BDW
WD6AJV	N6DSX	WA6KIN	WA6JCG
KA6NYC	W6GVK	KM6S	WA6WZO
WA6WZN	WB6SHF	WA6JTB	N6AVR
WD6APP	W6LNB	KF6Z	WB6POW
WA6URS	WA6YVX	WA6KHA	WA6AIL
W6RHI	WA6HYQ	N6AFB	WD6EJM
WD6FUN	KS6U	W6SLF	WB6TIQ
XE2HZN	N6BSD	W6PDA	K6BWT
WA6AXO	WA6BCC	N9BUM	K6EVM
N6BVU	KA6IGG	KA6ILV	

\$35 DOOR PRIZE DRAWING: KA6BEA NOT PRESENT. NEXT MONTH: \$40.00

INTERFERENCE REPORT

FREQUENCY INTERFERED WITH: _____

DATE AND TIME INTERFERENCE OCCURED: _____

CALL SIGN, NAME, ETC., OF INTERFERING STATION IF GIVEN: _____

AREA WHERE INTERFERENCE IS/WAS ORIGINATING: _____

TYPE OF INTERFERENCE: _____

REMARKS: _____

CALL SIGN OF REPORTING PERSON, IF ANY: _____

NAME: _____

ADDRESS: _____

CITY, STATE, ZIP: _____ PHONE: _____

TYPE OF ANTENNA USED TO MONITOR: _____

THIS FORM WAS DESIGNED TO AID AMATEUR RADIO OPERATORS AND THE FEDERAL COMMUNICATIONS COMMISSION WHEN REPORTING INTERFERENCE ON THE AMATEUR RADIO BANDS.

Not so ancient, but very unique, is another card submitted by a SANDRA member. Glenn Davis, WA6QNG, now upgraded to AA6X, worked WB6MID/8R3 on April 23, 1978. You all know the tragic story that followed. In the 1980 call book, WB6MID is listed as "Silent Key".



Peoples Temple
Agricultural Mission

WB6 MID/8R3

ALBERT TOUCHETTE • JONESTOWN
Port Kaituma, N.W.R., Guyana, S. A.

"T" HUNTING

As reported in SQUELCH TALES last month, hidden transmitter hunting is popular on Saturday nites. The regular 146.76 simplex chase on the third Saturday of last month started on Del Cerro Heights and ended at the north end of the Torrey Pines Glider strip. Hidden: N6NR, Rick, with WB5CSO and WB6SQZ assisting at the transmitter. First in: KF6Z, Tom and his wife Carol. Time: 29 minutes, 22 seconds. Hot on his heels, Lon, W6SLF, with W6GIC and W6UZL copiloting came in in 29 minutes, 35 seconds. Running close behind were the following participants:

K8WEN, Jack
Jerry Foster, with WB0SIV assisting
N6AVR, Bob
AJ6L, Tom
WA6KHA, Vance with new mother
WB6OZG, Peggy
WA6YVX, Ed and WA6URS, Barbie
KA6CUF, Steve
KA6ILV, driving, with WD6APP, Chuck
K6DYD, Jerry with wife and son
N6DSD, Jack
W6SZX, Gary

The contest was "time only". The distance, by the way, must have been over 20 miles. These guys are pros! The more stalwart participants went grunion hunting after the chase, with some actually caught. Tune in on Saturday nights.

WB6 MID/8R3 / Peoples Temple Agricultural Mission

Albert Touchette • Jonestown
Port Kaituma N.W.R. Guyana S.A.

Working to assist the Guyanese government to feed, clothe, and house its people, and further the human service goals that have characterized Peoples Temple for many years.

Radio WA6QNG confirming our QSO on 4/23 1978
 GMY 815 UB SSB X CW AM 815 815
 XMTR: YAESU RCVR: 101EE MOSLEY CL 36
 Antenna:

Remarks: Thanks for the QSL and for your
encouragement here at our Free
Medical Clinic and Mission. We
thank you as an amateur radio
operator for your contact and ex-
pression of reassurance. You have
been a part of our success.

ae



Who can top this next month?



Glenn Rattmann K6NA

Tom McDuffie KM6K



LOOK! SPECIALS!

- Kenwood TR7850...(50 W out).....\$425.00
- Cubic/Astro 103 in stock
- Yaesu FT 707 HF Transceiver.....\$729.00
- Kenwood TS 130-S.....\$679.95
- Drake TR-7.....(limited time).....\$1299.00
- Yaesu FT 207-R 2 Meter Hand Held....\$289.95
- Collins KWM-380...still at old pr..\$2695.00
- Icom IC-720A & IC 730 Now in stock
- Robot 400 (SSTV) & 800 (CW/RTTY Keyboard)
on display

WE STOCK TONE ENCODERS FOR MOBILES/HT'S.

COME IN AND BROWSE AROUND AND SEE THE GEAR.

5375 Kearny Villa Rd., San Diego

560-4900

STORE HOURS: 10 AM TO 5:30 PM. CLOSED SUNDAY.

TWO METER DX

SANDRA repeaters, particularly 146.0/64, are attracting more and more visitors these days from strange places. This is the time of year when the phenomena of tropospheric "ducting" of VHF and UHF signals is most prevalent. Not at all unusual to hear mobiles and handitalkies hitting our machine from Santa Barbara, 250 miles away. Now hold on to your hat. Six to ten times a year, according to club member Lou Anxiaux, WB6NMT, there are openings to the Hawaiian Islands on these frequencies. Lou monitors for the beacon there on 432.075 MHz. CW and SSB, with good antennas and power on each end, make QSO's possible. Now hold on again. It can be done, with luck, with FM two meter gear and a simple beam. Monitor 146.22/82, the Mauna Loa frequency on the Island of Hawaii. This repeater is linked to others on Maui and Oahu. Walt, W6UZL, worked 21 stations through this repeater in 1978 when conditions were just right. Lou says watch the TV weather maps for a thin overcast condition all the way between San Diego and Hawaii.

NEXT MEETING

Our next membership meeting will be held on Thursday, July 16, at the North Park Recreational Center, 4044 Idaho Street. Bob Avilla, N6AVR, our meeting chairman, reports that SANDRA member Alex Halyburton, WB6TQF, and Bill Miller, N6BUK, will be up front with slides and discussion about ham operator participation with the San Diego Mountain Rescue Service and tips that these folks have passed along to thousands of youngsters at public schools about conduct while in primitive areas. Bring the youngsters to this one, folks.

ARES PICNIC

The first annual San Diego Amateur Radio Emergency Service picnic was held Sunday, June 7, reports Joan Samuels, KM6S. Joan is an active member of SANDRA as well as the Convair Amateur Radio Club, where she teaches novice classes.

Convair hams hosted the event at Convair Missile Park, and seventy hams participated.

Bill, W6THR, demonstrated solar powered amateur radio operation with his TR 2400. Alex, WB6TQF, showed his well equipped van which he uses in his role as a field communications man with the San Diego Mountain Rescue Service. Alex, by the way, will be featured at our next membership meeting on the subject of search and rescue.

The Convair ham station, W6UUS, was open to visitors.

The highlight of the event was presentation of honorary membership in the Convair Club, complete with certificate and key to the club station, to Art Smith, W6INI, our Section Communications Manager. Harvey Hiller, KD6QK, club president, made the presentation.

PHYSICAL FITNESS

The first annual San Diego Scotland Highland Games were held June 13, starting at 7:30 AM. Seven hundred participants in 10 kilometer and 2 mile race events at Balboa Park.

The Amateur Radio Club of El Cajon helped as marshals and provided communications for the event. Hams were WD6AXO, KA6NYC, KR6J, WA6OIL, and KM6S.

Next sports event to be supported by the club will be August 2 at Helix High School. Call Joan at 292-7692 if you would like to volunteer.

JUN'S

IN STOCK

1500-2A AMPLIFIERS

103's

150-A's

100-MXA's

ST-200 TUNERS

ST-300 TUNERS

M-45 ANTENNAS

M-34 ANTENNAS

7352 UNIVERSITY AVE.

LA MESA

463-1886

STORE HOURS: MONDAY THROUGH SATURDAY 10:00 AM TO 5:00 PM



ANRES AT PLAY - A SUCCESS STORY

WE TOOK OUR HEADLINE AND PHOTOGRAPH USED IN THIS ARTICLE FROM THE SAN DIEGO UNION. THANKS TO OUR LOCAL PRESS.

FOLLOWS THE ACCOUNT FROM WD6DNW, CHRIS, WELL KNOWN ON SANDRA REPEATERS.

To all radio amateurs and especially to the friends who read the SQUELCH TALES:

On Saturday morning in mid-February, 1981, I will never forget, my telephone rang, a long distance call, on the line it was a friend of mine, XE1COF, Oscar, and a member of the XE2CRC, California Radio Club of Ensenada, his voice choking telling me about the horrible sickness, brain cancer, which had struck Andres, the son of one of the members of the same club, Claudio Portillo. I couldn't stop the tears from flowing down my cheeks. This voice on the line was asking for help, the kind of help that radio amateurs can give toward another ham, is to contribute, the kind of contribution the family needed was money, toward the enormous hospital and doctor's bills that Claudio Portillo was facing: The father, unemployed and living in Ensenada with his five daughters, while the mother was

sharing, here in San Diego, the hospital room with Andres, and later, in order to lower the cost of hospital bills, they moved to an apartment close to the facility while Andres was going through cobalt treatment.

The oldest daughter, Herlinda, who is 17 years old, missed a year of High School in order to take care of the baby sister who was born during the painful sickness of Andres. While her mother stayed with Andres, she took the responsibility of the household duties, including the care of the other four sisters. The separation of their mother and only brother lasted four months. What a painful and traumatic experience.

That Saturday I pledged to help the family Portillo. The first thing that came to my mind was to let the ham radio operators know that somewhere a ham like us needed help, with the permission of the

President of SANDRA and the great help of Mike, WA6HJJ. The words were announced over the repeaters and all the ARES nets.

The contributions arrived at University Hospital, sent in from different hams; later I was told by the PR lady at University Hospital that it would be in the boy's interest to establish a fund at the bank in his name and have a coordinator to manage it. I was then asked. With the family present, an account was opened at the San Diego Trust and Savings Bank in Mission Hills.

The money stopped coming in and something had to be done. The people must know that a little nine year old boy needed help. There's got to be a way to have Andres' story published. There is a nice young lady who worked for the Evening Tribune, at that time. I got on the phone and told her the painful story. The first thing she said was, "How sad it is." She gave me the name of Hugh Grambau. I got in contact with him. The story was published in the Evening Tribune on February 25, 1981, and made the first page with a beautiful color picture.

The checks arrived in the mail for about 2 weeks. With the donations of various radio clubs of both sides of the border, and the checks through the mail, we raised \$1800.00, so it seems a very small sum, when you see that the father was facing \$7300.00 in bills, after the hospital absorbed at least \$14000.00. Without a job and no insurance of any kind, he was determined to pay every penny to the doctors for saving his son's life. He mentioned that he owed them a great debt of gratitude.

The boy improved and has made great progress. Following the chemo-therapy, the treatments affected his spine and he may stop growing. The

family was told that Andres does not have to see the doctor until October, 1981.

On June 3rd, Hugh Grambau wrote a happier story, and you can see by the picture in the paper, the smiling face of Andres and his parents, that they are happy again. The father expressed his thanks and gratitude to all the people including different radio clubs in San Diego and Mexico, the San Diego Teleprinters Society and all the hams for their donations.

Now Claudio Portillo is still faced with \$5,500.00 on doctor's bills. The family is worried. If the father doesn't get a job soon, how are they going to pay the remaining balance? The balance on the savings account of Andres at this date is \$600.00 and by the end of this month he must make a \$300 payment toward the hospital and doctor bills.

If anyone wishes to donate, they may do so by making out their checks to Andres Portillo Fund, and mail them c/o Christine S. Tyberg, 379 Jackdaw St., San Diego CA 92103.

Thank you to all of you. 73 & 88
WD6DNW

Here's how the Russians handle interference

Officials from the 104th Militia Detachment of Moscow and the USSR Ministry of Communication inspected the illegal radio station of an individual calling himself on the air "The Inspector." N. G. Gutorov had been broadcasting music on 1700 kHz and below and had "impolitely rebuffed an invitation to go to a radio club to learn Amateur Radio." (Russia's CB band is located near this frequency.)

He was sentenced by the Tushinskiy Rayon Court (Moscos) to five years in prison. (Translated by Dex Anderson from USSR "Radio" Magazine.)
— W5YI Report (Linear Lines, South Carolina) □

FROM WORLDRADIO



PIZZA

...AT IT'S BEST



Happy Hour

Tue-Fri • 5-6

1/2 OFF Beer & Wine

FREE

Pitcher of Pop

With Purchase of Large Pizza

A \$2.50 Value

With coupon thru 8-15-81

(Discount coupons of all types excepted on any pizza order)

Enjoy the Finest Music in the Southland — Big, Thick, Juicy Pizzas, Homemade Deserts, Computer Games for the Children and Live Organ Music for All. Come and Step Back into the Atmosphere of the 1890's. They play ALL Types of Music from Country and Rock 'n' Roll to Classical (on your request). It's a Perfect Night Out for Everyone — A Place to Eat, Dance and Listen to the Music of Tommy Stark on the Organ.

Special Attention is Paid to Birthdays and Anniversaries. Arrangements can Easily be made for Parties and Meetings. This is a Real Family Restaurant with a Touch of Organ Power.

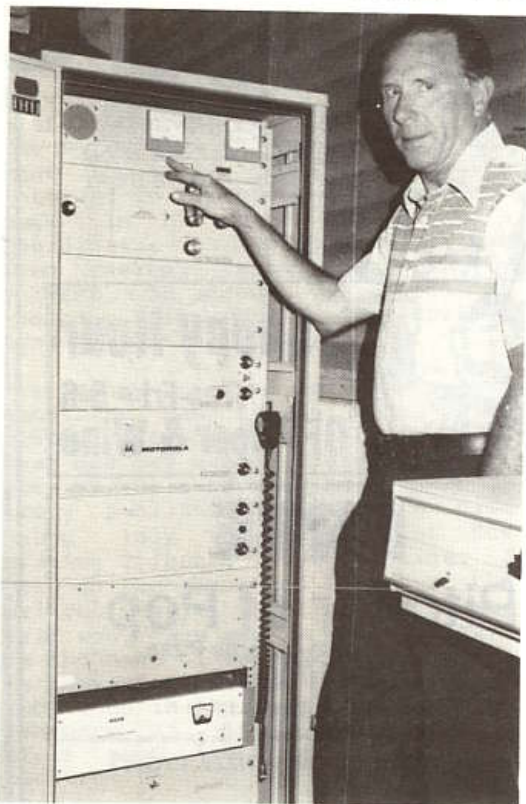
organ power pizza

3459 Imperial Ave., Lemon Grove

463-6977

KNOW YOUR REPEATERS

THE AUTOPATCH



SANDRA, INC. members are the proud possessors of eight first class Amateur Radio repeaters. The San Diego Repeater Association has on the air 24 hours a day: four machines on 2 meters, two on 220, and 2 on 450. Frequencies are listed inside the back cover of SQUELCH TALES. All are open to any licensed Amateur.

Starting this month, SQUELCH TALES will feature a repeater: its history, geographic and physical location, characteristics of traffic you will hear there, technical details, etc.

This month, we go to Sharp Hospital and visit K6QL/R, the SANDRA autopatch machine.

The Donald S. Sharp Memorial Community Hospital is located on Kearny Mesa. Our Stationmaster antenna and 100 watt ERP signal originates on top of this 10 story building, at approximately 500 feet above sea level. This is a good location for local autopatch. Mobiles can hit it from most of the metropolitan and suburban San Diego areas.

The photo left depicts Dave Fender, K6QL, SANDRA Past President and trustee of the radio. The white panel in the lower part of the picture is the autopatch, described later in this article.

The repeater is located in an engineering utility space on the 10th floor of the hospital. Dave was primarily instrumental in arranging for the space, generously provided by the hospital.

The repeater and autopatch have been on the air here for over five years.

To the knowledge of the writer, this is the only active open autopatch on the Southern California Coast, from Santa Barbara to the Mexican Border.

Access codes are provided only to SANDRA members, inside the back cover of SQUELCH TALES, but the patch will be brought up on the request of any ham. For discretionary use only, of course. Control operators, who must be on duty when the patch is enabled, will give guidance if you have a doubt about whether you are about to make a business call. The repeater is always on. The patch is only up when voluntary control operators are on duty.

Vance, WA6KHA, our membership chairman, provided the following fact sheet on the repeater:

"The Trustee of the SANDRA Autopatch on Sharp Hospital is Dave Fender, K6QL. The frequency is 147.885 out with the callsign K6QL/R. Sharp Hospital is located near the intersection of 805 and 163. The repeater is a Motorola Motrac 70 watt repeater (J3MPY), solid state except for 3 tubes in the transmitter. It was purchased through Motorola RECON after being taken out of service from the Hawaii Police Department. SANDRA's first use of this machine was on Mt. Laguna on 16/16. It was put into service at Sharp Hospital shortly after being replaced by the Micor now on Mt. Laguna on 75/15.

"The autopatch interface was designed and built for SANDRA by Tony, WA6ZMZ, and his wife, Mary, WA6NAF. It has over 80 CMOS integrated circuits on 6 circuit boards. This interface has never suffered a failure. Users can usually access the patch and dial a number even though their voice transmissions are unreadable. There are no relays used in the autopatch interface. The touch tone decoding is done with 567 decoders after high-low group filtering.

"The autopatch looks for a valid up code and connects the telephone line. The user then has 25 seconds to dial an allowed number or the patch times out giving a beep tone. The audio going into the telephone from the receiver during dialing is muted and the dialing tones are regenerated. When a valid number has been dialed, the audio from the receiver is connected and the caller has a little more than three minutes to complete the call. The call can be terminated by entering the down code. The presence of the beep tone indicates the telephone is disconnected and the timers are reset.

"There is a 30 second timer for normal repeater operation to allow timely pauses for emergency traffic.

"The autopatch telephone covers the greater San Diego area. The calling area is the same as the 277 prefix. The autopatch also has optional calling measured service (OCMS) which allows calls into Del Mar and Poway. SANDRA gets 60 minutes of free calling to each of these areas per month between 8 am and 8 pm Monday through Friday, and unlimited calling at other times. To use this feature a '1' must first be dialed. The following prefixes can then be called: 481, 484, 487, 748, and 755. Calls to the operator are not allowed. Calls to telephone repair are not allowed (611).

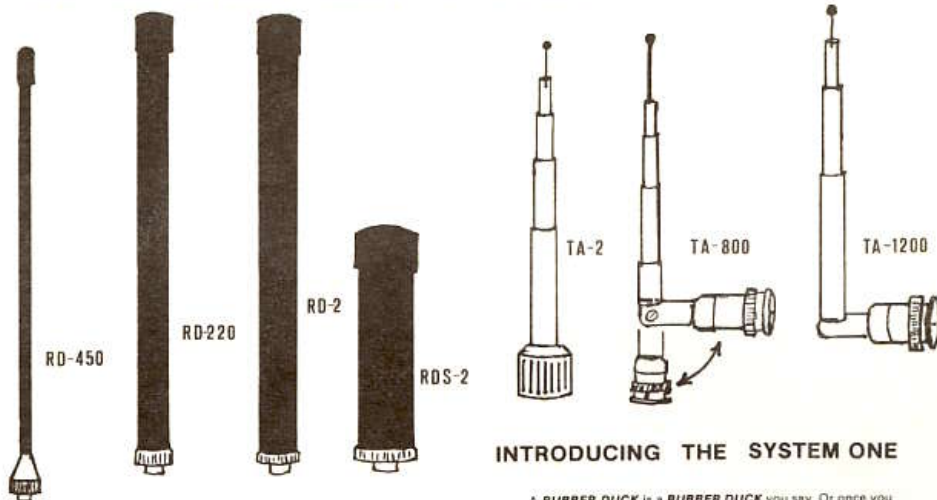
"Current FCC policy defines an autopatch as a station originating third party traffic, not a repeater. So while in the autopatch mode, there must be a control operator present to monitor operation. When the autopatch is not in operation, the repeater can be under automatic control. A dual reset tone indicates the autopatch has been enabled and is being monitored. A pure reset tone indicates the autopatch has been disabled. All members are asked to help the control monitor with the operation of the patch. SANDRA's policy is to make the patch available to visitors, but the access code is given out only to members. So please help out if a visitor wants to use the patch. The primary purpose of the restricted access code is to help screen out use by non-members who may not be licensed or have not received instructions on the use of the patch."

For further information, please call our number, 286-8550.



THE TUNED ANTENNA

NEW! System-1 Universal Rubber Ducks
and Telescoping Multi-Freq Antennas



INTRODUCING THE SYSTEM ONE

A RUBBER DUCK is a RUBBER DUCK you say. Or once you have seen one Duck, you have seen them all. That has all changed with the introduction of the **SYSTEM ONE** Tuned Antenna. We chose the name **SYSTEM ONE** because the Tuned antenna company is the first **RUBBER DUCK** manufacturer to offer a truly hand held tuned antenna system. When that old **RUBBER DUCK** on your brick is not working correctly, then you might as well be using a cement brick, for you will get out further by throwing that old cement brick than you will with using your handheld radio with an antenna that is bent, mangled, or detuned. Up to now when we decided to buy a new **RUBBER DUCK**, what did we do, we settled for any old duck in the store. Before the advent of the tuned antenna, you had no other choice but with the introduction of the **SYSTEM ONE** Tuned Antenna line brought to you by who else, The Tuned Antenna Company. We meet your needs at 2 meters, 168 MHz, 220 MHz, 420 MHz, 440 MHz, 450 MHz, 468 MHz, or 568 MHz. The Tuned Antenna Company has the antenna for you. You now have a choice.

Model	MOTOROLA	BNC
RD 450	\$5.95	\$9.95
RD 220	\$5.95	\$9.95
RD 2	\$5.95	\$9.95
RDS-2	\$5.95	\$9.95
TA 2MS		\$9.95
TA 800		\$9.95
TA 1200		\$9.95

To Order
Call 268-0720



See you at
Santee Drive-In — San Diego — 1st Saturday
TRW Swap Meet — Los Angeles — Last Saturday Every Month

9520 Chesapeake Dr. #603
San Diego, California 92123

A BIT OF HISTORY

Fred Buell, N6CTC, who regularly submits problems and answers to SQUELCH TALES, has this unique story to tell:

In 1947-49. the Psychological Services of the University of Michigan, under the direction of Dr. (Mrs.) Donahue was given a study contract from RCA to test and check out the utility of an "electronic pencil".

While Braille printing and "talking books" on records have done much to make literature available to the blind, there still remains a vast amount of printed material beyond their reach. To make it possible for a blind person to read any printed matter, an electronic device for reading by sounds was announced by the Radio Corporation of America as having been developed in experimental form, in co-operation with the Committee on Sensory Devices of the National Academy of Sciences.

The user moves a hand-held stylus along the line of type. At the bottom there is a vertical slit through which a beam of light scans the print vertically, 30 times per second. When the beam strikes a dark spot at the top of its swing, a high pitched 4000 Hz note is heard through head phones. A spot at the lower end produces a low 400 Hz note, while if it encounters blackness all the way, a total variation from the highest to lowest is heard. Suppose the "reader" comes to the capital letter N. As the slit passes the first upright part, the combination of high and low tones is heard. Then it traverses the upper part of the diagonal and a high pitched note heard, which slides down the scale as the stylus is moved. At the second vertical leg the combined tone is heard again. This combination of sounds is characteristic of N and the user learns to recognize it. Reading

speeds better than 10 words a minute have been attained, and it was believed that these could ultimately be raised to about 60 per minute.

We had about 7 or 8 pencils there at the University. The sounds from the pencil were recorded and played back to the blind students until they were capable of handling the pencil by themselves. This was a part time job for me while I was going to Engineering School. I was responsible for the maintenance of the pencils and all of the recording and playback equipment.

Dr. Donahue visited RCA to present a status report on the program, and while she was there, she mentioned the part I was contributing to the program. Therefore, V.K. Zworykin and Dr. L.E. Flory sent an autographed copy of a book called "PHOTO-ELECTRICITY", written by Zworykin and E. G. Ramberg. However, the autographs were of Zworykin and Flory who were responsible for the development of the "electronic pencil."

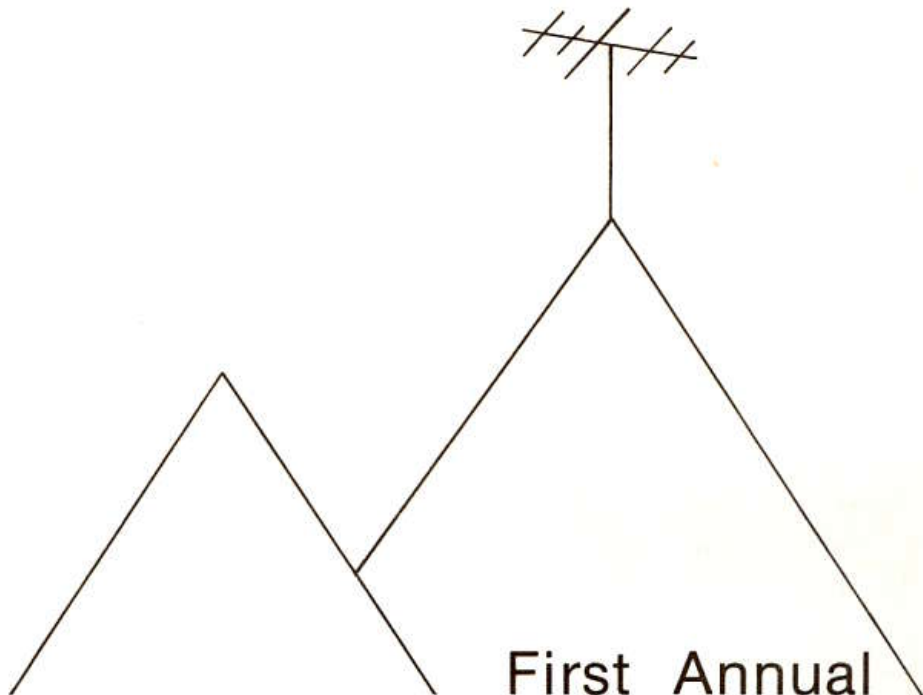
During this same period of time we had several parties for the students. Mrs. Donahue and myself were the only people there that had sight! It was most interesting.

Will "see" you on the air.

Signed, Fred Buell

For those of you who do not recognize the name Zworykin, here is the quote from the Encyclopedia: "Zworykin, Vladimir Kasma, born 1889, was one of the first scientists to develop the possibilities of modern electronic television. Perhaps his most important invention in this field is the "iconoscope".

Larry, WA6AIL, can give you an update on electronic pencils made available by today's state of the art.



First Annual VHF Mountaintopping Party

Backpack or day hike – or even drive, if necessary – and join the fun on Saturday, August 1st. Take your VHF gear as high as you can and spend the day chatting with other mountaintoppers on FM simplex – or try other 2 meter modes if you have them. (And if you run out of other adventurous souls to talk with, you might even give a coveted mountaintop contact to a flatlander.)

Bring your 2 meter radios, antennas, batteries, solar cells, picnic lunches, cameras – this is a QSO party, not a contest!

The instigators of the event – Dave WA6GUO and Gary WA6SUW – will be atop Mt. Shasta. Other suggested mountains: Tamalpais, Baldy, Fremont Peak, Wilson, Denali, Diablo, Hood, Baden-Powell, Lyell, Haleakala, San Jacinto, Rainier, Lassen, Whitney, Hamilton Enjoy!

Saturday, August 1, 1981

1000 - 1500 local time

146.55 MHz

147.54 MHz

146.58 MHz

147.57 MHz

MORE ERRATA

In May, SQUELCH TALES published the Summer 1981 Rio Hondo/TASMA Repeater List. Last month, we provided updates. Here we go again, as provided by Karl Pagel, N6BVU.

Output Frequency

145.26	Add to	WR6AFR	Frazier <u>Peak</u>	
145.27	Drop	XE2RPT	Tijuana	
145.27	Add	N6EDA	San Diego	Pri Autopatch
145.28	Change	N6CKN	to <u>N6CKH</u>	
145.34	Change	XE2RCC	to <u>XE2CRC</u>	
145.38	Add to	WB6CIX	<u>PL-1A</u>	
145.750	Add to	G.P. Net	<u>(A3)</u>	
145.785	Change to	WA6MHN	<u>145.725</u> Simplex Autopatch	
146.025	Add	XE2RCO	Ensenada	
146.16	Drop	WA6ATI	San Diego	
146.16	Add	KA6JTA	El Cajon	
146.16	Add	XE2CC	Ensenada	
146.385	Add	WA6KBD	Santa Barbara	
146.64	Change	WA6JUF	Linked to <u>WA5RQD - in the future</u>	
146.82	Change	W6FNO	Simucast to <u>Simulcast</u>	
146.85	Change	WR7AXA	Autopatch to <u>Autopatch</u>	
146.88	Drop	WR6AOX	<u>Autopatch</u>	
144.88	Add	WR6AOX	<u>Swapnets, M & F, 8 pm</u>	
147.18	Change	XE2AXR	<u>Mexicali to Mexicali</u>	
147.195	Add	WB6AOT	San Marcos San Diego RACES	
147.30	Change	N7RH	Taheo to <u>Tahoe</u>	
147.30	Add	WD6HDI	Hesperia	
147.480	Add	W6DVJ	San Diego	Pri Simplex Autopatch
147.495	Drop	W6UUS	San Diego	Pri Simplex Autopatch
147.855	Add to	WA6YNT	Anaheim <u>PL-5A</u>	
224.34	Change	WD6CMY	San Bernardino to <u>San Bernardino</u>	

N6BVU, 13 June 1981

P.O. Box 6490

Orange, CA 92667

(714) 772-5451

Advise me of any other changes you know of on 2 or 220. Thanks. Karl

REAGAN'S MESSAGE

HR NR 72 P WIAW 53 THE WHITE HOUSE WASHINGTON DC JUNE 26

TO ALL RADIO AMATEURS BT

I AM HAPPY TO SEND MY SINCERE BEST WISHES AND APPRECIATION TO THE NEARLY 400,000 AMATEUR RADIO OPERATORS WHO STAND READY WITH EQUIPMENT AND SKILLS TO SERVE IN THE PUBLIC INTEREST IN TIMES OF DISASTER X MAY YOUR 45TH ANNUAL AMERICAN RADIO RELAY LEAGUE FIELD DAY EMERGENCY PREPAREDNESS EXERCISE BE SUCCESSFUL X SINCERELY
BT RONALD REAGAN AR

FROM OUR SCM

Family Disaster Survival Hints - Part II

by Art Smith, W6INI, SCM

The following is a continuation of excerpts from the ODP leaflet entitled "Family Disaster Survival Hints". Part I was published in the June 1981 Squelch Tales.

EVACUATION. If you must evacuate your home, carry only lightweight items with high replacement value. The following priority is suggested for items to take:

1. Special medicines and eyeglasses. Your need for these will be constant.
2. Legal documents and valuable papers. Take birth certificates, car ownership slips, insurance papers, stocks and bonds, and other papers difficult to replace.
3. Jewelry and watches. These should be taken because they are small, valuable, and lightweight.
4. Small appliances and furniture. Expensive items such as portable TVs which can fit into a car should be taken -- only if you have time.
5. Clothing and bedding. While replacement cost is high, these are bulky to carry unless you have a large car or truck.
6. Kitchen equipment. If there is plenty of time you might consider pots, pans, and eating utensils.
7. Last items. Large, heavy appliances and furniture should go only if you have a truck. Most of these, however, are not only easily replaced but are covered by insurance if lost.

Survival Checklist

food	water	eating utensils
paper plates	paper cups	pan
measuring cup	pocket knife	bottle and can opener
sleeping bags	blankets	sewing kit
extra clothing	paper towels	disinfectant
garbage can	sanitary napkins	first aid kit
emergency toilet	newspapers	soap
tools	candles	plastic and paper bags
flashlight	rope	infant care supplies
calendar	clock	matches
radio (portable)		

FIRST AID. Call the Red Cross for information on first aid courses now -- before you need it. Your home first aid kits need contain only those items you can safely use. Ordinarily, this will be limited to adhesive bandages, an antiseptic, and gauze bandages. You should add whatever you know how to use.

ILLUMINATION. Electricity may be out. Have candles for short term outages, but exercise extreme caution with the open flame. Families which camp will have propane or gasoline lanterns. Do not depend on flashlights -- batteries weaken too fast. Keep a flashlight handy, though, to enable you to find your way through your house.

Now that you have the hints on family survival, start getting ready. Don't become a burden to your community in case of disaster just because you waited too long.

TRAVELER'S NOTES

The wife and I just returned from another visit to Medford, Oregon. I filed a report after last September's trip, in SQUELCH TALES of Oct. '80, telling what one could expect in repeater coverage through the San Joaquin Valley as far north as Portland and Olympia, Washington.

My initial report left a gap in the Sacramento area as we drove through midday both ways on this trip.

On our way home we found a temperature of 105 degrees F. which made last year's time of driving more reasonable.

To begin with, all repeaters listed for the Central Valley are still on their listed frequencies and as of June 5th were alive and well. These repeaters are in addition to those given previously and are all open machines. Hope they will help make your trip more enjoyable.

From Cattleman City to Stockton, the Mariposa 147.63/03 repeater is useable. This is the first in a series of repeaters located in the Sierras that boom into the valley. Another repeater is the Sonora 146.115/715 located 4300 ft. elevation at Confidence Ridge. This machine reaches as far west as the San Francisco Bay Area.

From Los Banos to Red Bluff, the 146.205/805 out is the wide range repeater. This machine is located near Placerville at an environmental park with an elevation of 4000 ft.

Also in the Sacramento area, wide range repeaters are located at Mt. Vaca with a frequency of 146.400 in and 147.000 out and Ft. Sill, east of Auburn, is on 146.745/145.

Sacramento itself has four repeaters, 146.19/79 has the widest coverage. 146.31/91 and 147.90/30 are both local and 147.99/39 is linked to another repeater. From Dunnigan to Corning, the Chico repeater at 146.25/85 reaches as far west as I-5.

The last, new to me, repeater I found overlaps the Gunsight repeater with coverage from Weed to Medford and it is the Klamath Falls repeater, also on 146.25/85.

Combine these repeaters with those listed earlier and you should be able to mobile with care from San Diego to Medford and points north. Happy trails and enjoy your trip.

John E. Brown, Jr.
WB6WHM

JULY PROBLEMS

1. An air capacitor C, with 5 plates and a spacing of S is changed by doubling the number of plates and reducing the spacing by 1/2. What is the value of the NEW capacitor C-2 in terms of C?
2. A one-milliampere meter having a resistance of 25 ohms was used to measure an unknown current by shunting the meter with a 4 ohm resistor. It then read 0.4 milliamperes. What was the unknown current?
3. The field intensity of a 1 KW transmitter measured at a distance of one mile from the transmitter is 200 uv/meter. The power at the transmitter was increased so that at four miles, the field intensity became three (3) times as great as the original field intensity at one mile. What power increase was made at the transmitter?

Heathkit®

Heathkit

SAVE 10%

on any purchase of up to \$1,000 from this catalog

YOUR SIGNATURE _____

This coupon must accompany your order. Only one coupon per customer. Offer valid only for kit purchases from this catalog and may not be used in addition to 5% system discounts or special system/combination prices.

**HURRY!
OFFER EXPIRES
SEPT 15, 1981**

SAVE UP TO \$100

SAVE UP TO \$100

SAVE UP TO \$100

SAVE UP TO \$100

8363 Center Drive La Mesa, CA 92041
461-0110

SURPLUS ELECTRONICS

power supplies	pc boards	motors -	solenoids
IC's	relays	connectors	lamps
switches	wirefans	meters	hardware



C & S SUPPLY

1469 Cuyamaca Street
El Cajon, California

Hours: Mon.-Fri. 9:30 - 5:30
Sat. 9:30 - 1:00
closed Sundays

located 1 mile north
of Fletcher Parkway

CALL US - TELEPHONE 448-5000

OPEN LETTER TO JAMMERS

You fellas out there in the two meter band may have what you consider a reason for interfering with the frequencies on two meters. Well, maybe you have, but do you have a reason to take it out on the good amateurs on these frequencies? Have they in any way irritated you, angered you, stepped on your QSO's? Have they insulted you? Or is it that perhaps some of you are sort of shy and are afraid of criticism if and when you want to talk to someone on the two way? Well, listen, friends. I've been criticized, insulted, stepped on in the middle of a QSO and had snide remarks interjected while I was talking - you know in some cases, I've deserved to be told off, but I'll never push the button and interfere with anyone on the frequency just because I don't agree with some people on the air.

I DON'T INTERFERE! Why? Because why should I try to take out my feelings on the hundreds of good people out there because of a few people who interfere with my transmissions? "Two wrongs don't make a right". If you think about the services performed on the radio, emergencies, traffic accidents, fire alerts, riots, weather reports, directions to visitors to San Diego, etc. Perhaps you might agree - you know - for instance supposing a relative of yours, mother, father, wife, sister, brother, or even a total stranger was in need of assistance and because you jammed the frequency and help couldn't be obtained because of your actions. Could you live with it, knowing that if you hadn't jammed a life might be saved or property damages or personal injuries may have been reduced? Think about it. Don't argue on the air. There are hams up and down the coast plus non-hams with scanners listening in - you know that sure doesn't give amateur

radio a good name. So if you feel kinda "left out of a QSO at times, I'm sure it is something you can live with. There are plenty of hams to talk to legit. Be thick skinned and shrug off what you dislike about some people and just don't talk to them-don't argue. You can't win, nor can they. Two fools can always make an argument, don't be one of them. Amateurs are supposed to be regarded as gentlemen (including the ladies on the radio). Be a gentleman. Be proud to be a ham. Live up to your license.

Anytime you hear me on the air, I'll talk to you. I think everybody has the makings of a good ham. I think if I were to be resentful toward people I probably would have as good (or as bad) an excuse. I flipped a trail bike out in Ocatillo (the desert) about twelve years ago. Doctors thought I had fractured my neck. I was in constant pain from pressure on a nerve in the spine. I lost my hearing in my left ear, at times my hearing is so bad I can't distinguish a man's voice from a woman's, and it distorts. I use a speaker mike, mostly. I've had four operations. I used to have vertigo spells about eighteen or twenty times a day. I still have pressure on the nerve and take muscle relaxant medicines to help, also lots of aspirin. I'm otherwise strong and physically healthy, but uncomfortable. I've never discussed this on the air, as I don't believe in that. Why tell people my troubles? They've got their own.

So, if you feel resentful and want to take it out on other people who have nothing to do with your problems, think twice before you jam or use foul language on the air. Be a good ham and you'll be respected.

73's N6AQU, ED

SOUTHERN CALIFORNIA PUBLIC REPEATER AND SIMPLEX CHANNELS

Location	Call	Input	Output	Access
		10 METERS		
Sierra Madre	WR6BDG	29.52 MHz	29.62 MHz	107.2 Hz
Mt. Wilson	WA6Z OI	29.54	29.54	107.2
Palomar Mtn.	N9PL/R	29.56	29.66	carrier
Palos Verdes	WR6AQS	29.58	29.58	107.2
		6 METERS		
Mt. Wilson	WA6Z OI	52.76	52.525	carrier
Johnstone Peak	WA6UJS	52.76	52.525	carrier
San Diego	N6AEG/R	52.76	52.54	carrier
Orange County	W6KRW/R	52.84	52.62	103.5 Hz
Baldwin Hills	WR6AQR	52.90	52.62	carrier
		3/4 METERS		
Palos Verdes	W6NUI/R	440.500	445.500	131.8 Hz
San Diego	WR6AFE	442.025	447.025	carrier
Palos Verdes	KA6JKY	442.025	447.025	131.8 Hz
Sulphur Mtn.	WR6AOX	442.325	447.325	carrier
Table Mtn.	WR6AZN	442.325	447.325	carrier
Palm Springs	WA6ZUF	442.325	447.325	carrier
Monrovia	WB6TVZ	442.575	447.575	carrier
Crestline	WR6ANP	443.350	448.350	carrier
Ventura	W6MWA	443.350	448.350	carrier
Santa Monica	WA6RJG	444.425	449.425	carrier
Palomar Mtn.	WR6AII	444.425	449.425	carrier
Chino Hills	W6GAE/R	444.425	449.425	107.2 Hz
San Diego	WR6ACF	444.500	449.500	107.2 Hz
		ATV		
Johnstone Peak	W6ORG/R	434.000	1265.000	15,750 Hz
		TEST PAIR		
non-coordinated	-----	441.875	446.875	
		SIMPLEX		
29.500	29.600	52.525	446.000	439.500 (ATV intercom, 16F3 emissions NOT TV audio channel)

NOTES:

1. SCRRBA believes the above data to be correct, but is not responsible for its ultimate accuracy.
2. No impression is intended or implied that the amateur frequency bands which SCRRBA coordinates are devoid of activity except for that listed above. These listings represent in actuality only a very tiny percentage of the total Southern California activity. Repeaters and remote base stations not listed above are coordinated as private (i.e., closed) systems, which generally do not welcome visitors.
3. Errors in the above listing should be reported to the Technical Committee.

FROM SCRRBA

TECH TIP

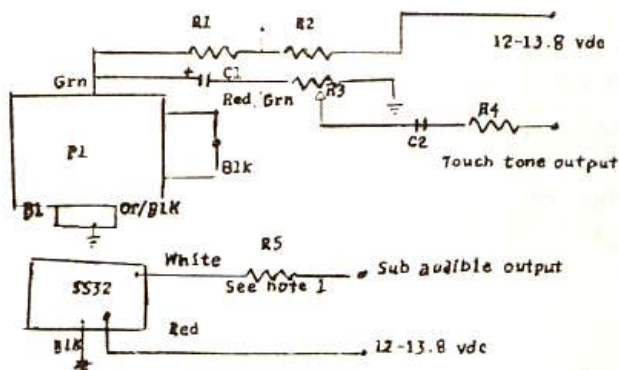
COMBINATION TOUCH-TONE AND SUB-AUDIBLE (IN ONE ENCLOSURE.)

Parts List:

PL-Bell System Tone Pad #35Y3D or equivalent
SS-32 sub-audible encoder
COMMUNICATIONS SPECIALISTS, Orange, California
R1 510 ohms 1/2 watt
R2 300 ohms 1/2 watt
R3 50k ohm mini pot
R4 30k ohm 1/2 watt
R5 470k ohm 1/2 watt
C1 50 mfd @ 35 volts
C2 .47 mfd DISC

The touch tone is fed directly into the mike circuit at the accessory socket. C2 and R4 provide decoupling to prevent oscillations to the mike circuit.

The sub-audible is fed thru the accessory at a convenient no connection pin and then wired to the wiper of the deviation pot.



Note: The value of R5 has to be determined by experimentation, and a good way is to use a 1 meg pot in series with output and vary it for best operation. Different sets take different values, with my Tempo VHF S-1, I wound up with a half megohm there, as I used a 470k ohm 10%.

If a 9 volt is preferred to power the touch tone, delete R2 and connect it to R1.

The components external to the touch tone pad can be mounted on a small circuit board and the SS32 sub-audible unit placed right next to it under the touch-tone pad in the same box. The box I used was made to accept the touch tone pad with the 12 holes for the keys already in it. I used a four pin mike plug at the box for the input power and the outputs.

This month's tech article was submitted by SANDRA member Carl Borchert, K6OBP (OLD BRASS POUNDER) and Carl can be reached at his home phone 273-7674 for further information. Thanks, Carl!

YOUNG EDITOR

SQUELCH TALES is not the only Amateur Club Bulletin edited by SANDRA members.

Teenager Jerry, WB6YQU, is the editor of the TEENAGE AMATEUR RADIO SOCIETY (T.A.R.S) monthly bulletin. This growing group has as its object:

- To promote all fields of Amateur Radio.
- To encourage members to be active in Amateur Radio.
- To represent all of the teenage Amateur Radio operators of Southern California.

Jerry says that the only prerequisite for membership besides being a teenager is that he/she must have 40 meter or 2 meter capability. Contact WB6YQU for more information on joining up.

OFFICERS:

- President**
 WA6JTB JOHN NABORS 475-2150
- Vice President**
 WA6AIL LARRY COX 277-6352
- Secretary**
 WA6URS BARBIE FLINN 426-4881
- Treasurer**
 WB6CDK WALT BELLISTON 287-0918
- Membership**
 WA6KHA VANCE BELLISTON 464-2012
- Meetings**
 N6AVR BOB AVILLA 295-2695
- M.A.L.**
 N6LY LARRY HARVEY 224-5647
- M.A.L.**
 N6BSD DAVE OLSON 273-9433
- M.A.L.**
 N6EBL BRUCE SMITH 276-3109

TRUSTEES:

- MT OTAY WA6YVX ED FLINN
 MT LAGUNA W6PDA WAYNE BAMFORD
 LYON'S PK WA6KHA VANCE BELLISTON
 SHARP'S HOSPITAL-K6QL DAVE FENDER
 AUTOPATCH CODE: 82* UP, 82# DOWN

SQUELCH TALES

SQUELCH TALES is published monthly by the San Diego Repeater Association (SANDRA, Inc.), a non-profit corporation dedicated to the promotion of Amateur Radio. Distribution is free to members of the organization; subscriptions are available to others. News, views, and information exchanges (particularly newsletter exchanges with other clubs) are desired and solicited. The right to edit material submitted with respect to format, suitability, and style is reserved. Decisions are final.

Advertisements are \$30 per page, \$15 per half page, and \$7.50 for a quarter page or business card ad. Artwork or layouts should be submitted to reach the Editor, P.O. Box 82958, San Diego, CA 92138, by the first of the month in which the ad is to appear. Assistance in preparation of artwork and layout is available at no charge to advertisers desiring this service, although a longer lead time is necessary. Contact the Editor for specific requirements. Advertisements prepared by the SQUELCH TALES staff remain the property of SQUELCH TALES, and may not be used elsewhere without written permission. Liability for errors in copy or other matter is limited to the printing of a correction in the subsequent issue.

Permission is hereby granted to reprint items from this issue of SQUELCH TALES in other Amateur Radio oriented publications provided credit is given to SQUELCH TALES and when appearing the author. Articles are only accepted on this condition unless otherwise noted. No liability is assumed for accuracy or originality of material. Opinions expressed, unless specifically noted, are not necessarily the position of the organization, Editorial Staff, or Board of Directors of SANDRA, Inc.

- STAFF:** SYBIL ALLBRIGHT W6GIC 278-4284
 WALT HICKS W6UZZ 292-7918
 DON DRAKE WA6IPW 692-1126
INTERFERENCE & INFORMATION: 286-8550

* **FREE** *

GOOD AT REGULAR DRAWING

JULY 1981

MEETING

EXCHANGE AT DOOR



SANDRA OPERATES TWO NETS:

- Sunday Evening at 8:00 p.m. on 04/64
 Wednesday Eve. at 7:30 p.m. on 75/15

SANDRA, Inc. operates the following repeaters for service to the San Diego area and environs. The policy of the organization is that the repeaters are available for all licensed Amateurs to use, so long as applicable rules and regulations are observed, whether members of SANDRA, Inc. or not. Further, the following priorities must be observed: (1) Emergency traffic, concerning the safety of life or property take priority over all other traffic. Failure to yield to any station indicating the need for such traffic is prohibited, and may render the offender subject to legal action. Indication of the need for such traffic may be "Break Emergency," "Break-Break," or any other clearly indicated statement. (2) Call-ups should be permitted. If an operator "breaks" into a conversation, he should be permitted to make such a callup. He should not, however, "take over" the repeater and exclude those who were already using it. (3) "Rag-chewing" is not prohibited, but care must be exercised to assure that the repeater is not tied up for extended periods. Remember, there are almost 900 members, and several hundred non-members, who have as much right to use the facilities as you do. It is extremely discourteous to monopolize them to the exclusion of these other users. Long QSO's should be limited to simplex frequencies or the lower bands.

K6QL	SHARP'S HOSP.	147.285	147.885
	AUTOPATCH REPEATER		
WR6ACF	MT OTAY	146.04	146.64
WR6ACF	MT OTAY	222.60	224.20
WR6ACF	MT OTAY	**444.50	449.50
W6PDA	MT LAGUNA	147.75	147.15
W6PDA	MT LAGUNA	222.46	224.06
W6PDA	MT LAGUNA	**444.825	449.825
W6SS	LYON'S PEAK	146.865	146.265
		**1-B PL REED	



Yes, I would like to become a member of SANDRA.

Full Membership: \$10 MEMBERSHIP
 \$10 INITIATION (ONE TIME)
 \$20 TOTAL

Limited Membership: \$12 PER YEAR

(Only for those who live outside of the San Diego area. Voting privileges are not included.)

Amount Enclosed \$ _____ Date _____ Signature _____

NAME _____ CALL _____

ADDRESS _____ PHONE _____

CITY _____ STATE _____ ZIP _____

Mail to SANDRA, Inc., Post Office Box 81103 San Diego, Ca., 92138

SANDRA, Inc.

SAN DIEGO REPEATER ASSOCIATION
POST OFFICE BOX 81103
SAN DIEGO, CA 92138

BULK RATE
U.S. POSTAGE
PAID
Permit No. 1520
San Diego, Calif

Calendar Of Events

- JULY 16: GENERAL MEMBERSHIP MEETING AT 4044 IDAHO ST. AT 7:30 PM. PROGRAM WILL ABOUT THE MOUNTAIN RESCUE TEAM. SEE ARTICLE INSIDE.
- JULY 23: SAN DIEGO COUNTY AMATEUR RADIO COUNCIL MEETING AT 3650 FIFTH AVE. AT 7:30 PM.
- AUG. 1: SWAP MEET AT THE SANTEE DRIVE-IN AT 7:00 AM. BRING YOUR WHITE ELEPHANTS AND SWAP THEM FOR THOSE OF SOMEONE ELSE!
- AUG. 6: BOARD OF DIRECTOR'S MEETING AT THE BONANZA RESTAURANT, 2633 EL CAJON BOULEVARD, 7:30 PM.

0382

*

92119

TERIAL

Address Correction Requested